



DR.MACH
GERMAN MED-LIGHT SOLUTIONS



**Perfection, when it
really matters.**
Dr. Mach Accessoires



Video systems for Mach LED 6MC and LED 8MC



Mach OT video system: Highest picture quality with maximum movability of the light

- The arms can be rotated without limiting full rotatability
- Easy mounting due to video signal transmission via the supply cables or wirelessly
- Easy to install the camera in another OT
- Control via wireless remote control:
 - Switching ON and OFF
 - Focus (automatic / manual)
 - Exposure (automatic / manual)
 - Zoom
 - Image rotation
 - Still image
 - White balance

Variants for Mach LED 6MC, LED 8MC and camera holder:

- HD wired**
HD image quality with wired transmission of the video signal
- HD wireless**
HD image quality with wireless transmission of the video signal
- 4K wireless**
4K image quality with wireless transmission of the video signal

Technical data

Dr. Mach camera	HD wired	HD wireless	4K wireless
Lens system	30-fold optical zoom 12-fold digital zoom f = 4.3 to 129 mm F 1.6 – 4.7, auto-focus	30-fold optical zoom 12-fold digital zoom f = 4.3 to 129 mm F 1.6 – 4.7, auto-focus	20-fold optical zoom 12-fold digital zoom f = 4.8 to 96 mm F 2.0 – 3.8, auto-focus
Video resolution	1080i / 50, 1080i / 60	1080p / 50, 1080p / 60	2160p / 25, 2160p / 30
Video output	HD-SDI	HDMI	HDMI
Image points	2.13 Megapixels	2.13 Megapixels	8.51 Megapixels
Dimensions (Ø, length)	80 x 150 mm	80 x 190 mm	80 x 190 mm
Weight	650 g	900 g	950 g



Video system for the Mach LED 300



Mach OT video system: Highest picture quality with maximum movability of the light

The arms can be rotated without limiting full rotatability
Easy mounting due to wireless transmission of the video signal

Control via wireless remote control:
Switching ON and OFF
Focus (automatic / manual)
Exposure (automatic / manual)
Zoom
Image rotation through 180°
Still image
White balance

Technical data

Dr. Mach camera	HD wireless camera LED 300
Lens system	10-fold optical zoom 16-fold digital zoom f = 3.3 to 33.0 mm F 1.8 – 3.4, auto-focus
Video resolution	1080i / 50, 1080i / 60
Video output	HDMI
Image points	2.14 Megapixels

Variant for Mach LED 300DF SC and LED 300MC:

HD wireless camera LED 300
HD image quality with wireless transmission of the video signal

Further information about the video systems

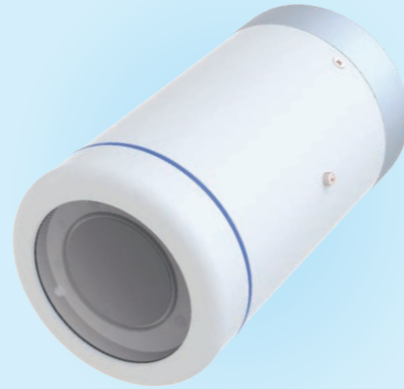
1



2



3



1 Camera holder
for all Dr. Mach cameras as ceiling and wall models and as combination suspension (except HD wireless camera LED 300)

2 Camera remote control
for operation of the camera

3 Camera
can be removed from the light and used in another camera-prepared light (only with Mach LED 6MC and Mach LED 8MC)

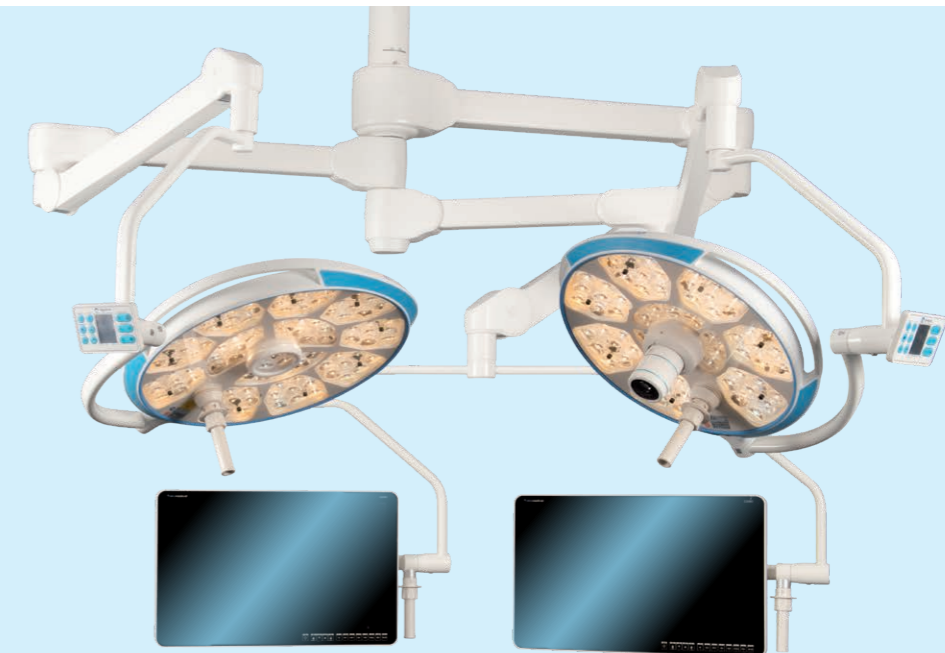
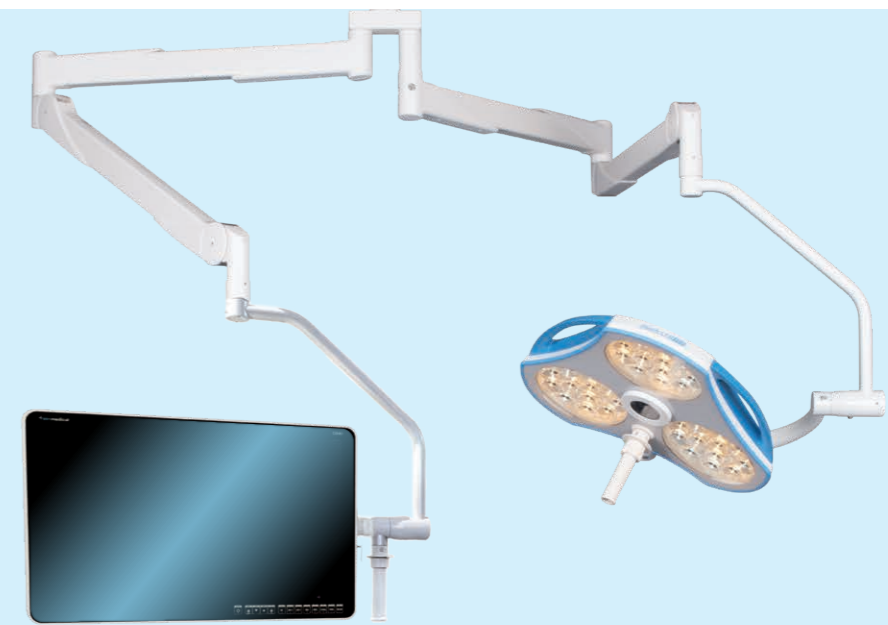
4 Wireless receiver
including wall holder to retain the receiver in any wireless video system

5 Camera cover
Hygienic cover for camera preparation or when camera is not in use (only with Mach LED 6MC and Mach LED 8MC)

4



5



Scope of supply of camera systems:

HD wired

camera, wireless remote control, video box with 1x HD-SDI output signal and 7 metre connecting cable to a monitor (BNC).

HD wireless

camera, wall mounting for wireless receiver, wireless remote control, wireless receiver with 1x HDMI output signal and 10 metre connecting cable to a monitor (HDMI).

4K wireless

camera, wall mounting for wireless receiver, wireless remote control, wireless receiver with 1x HDMI output signal and 10 metre connecting cable to a monitor (HDMI).

HD wireless camera (LED 300)

camera, wireless camera remote control, wireless receiver with 1 x HDMI output signal and 10 metre connecting cable to a monitor (HDMI).

Single monitor holder



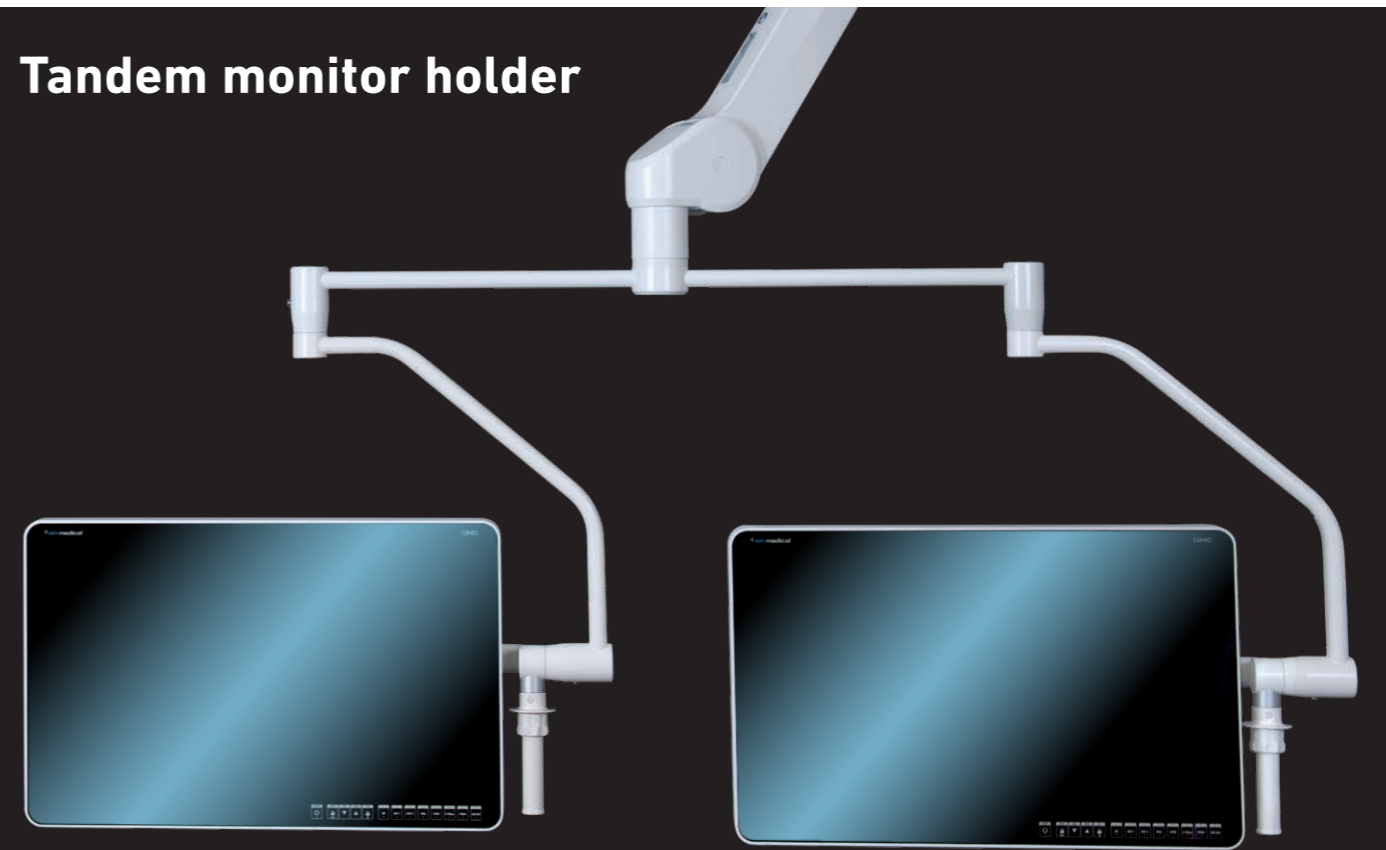
Options

Wall-/ Ceiling model
 For 19" to 32" monitors
 Delivery without a monitor
 Power cord included

Technical data

Dr. Mach monitor holder	Wall	Ceiling
Max. weight of monitor	10 kg	10 kg
Standard TFT monitor suspension	19 inch	19 inch

Tandem monitor holder



Options

Ceiling model
 For 19" to max. 27" monitors
 Delivery without a monitor
 Power cord included

Technical data

Dr. Mach monitor holder	Ceiling
Max. weight of monitors	2 x 11 kg
Standard TFT monitor suspension	2 x 19 inch

Tray tables



Options

Wall-/ Ceiling model

1, 2 and 4 sockets

With AV, ZV and ZSV sockets

Deliverable without electrics

Deliverable with equipotential bonding socket

Available with foam-rubber surface

Suspension has limited rotation

Technical data

Dr. Mach storage tray	Wall
Dimensions	48 x 38 cm
Empty weight	4 kg
Max. load	14 kg

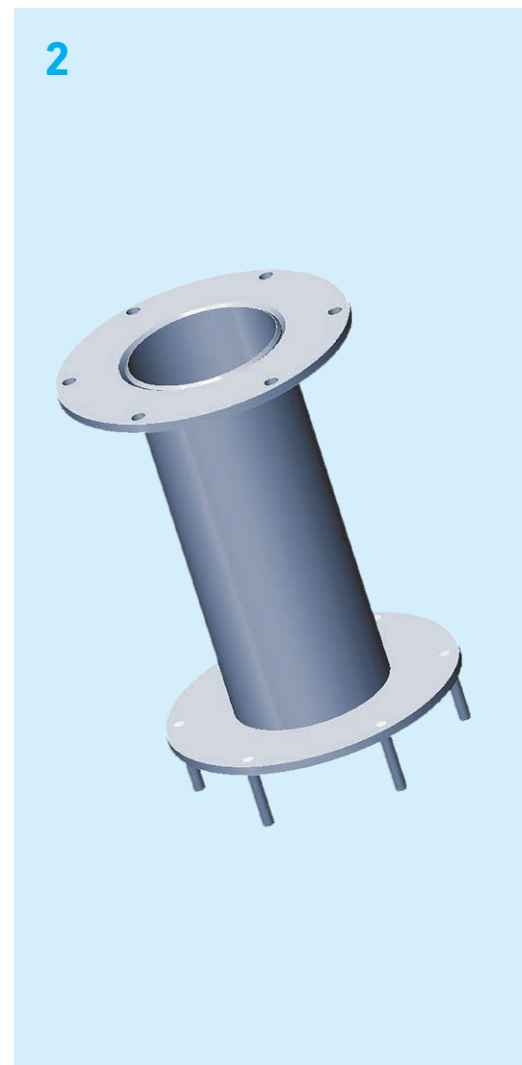
Flange solutions

1 3-fold flange

Option of a flange plate with three outlets. For example for monitors on the side.

2 Intermediate flange

An intermediate flange is used for false ceilings with a distance of 40cm or more to the concrete ceiling.





Dr. Mach GmbH & Co. KG | Tel +49 (0)8092 20930 | www.dr-mach.de